

# CP COLOR MH TECHNICAL SPECIFICATIONS

## Power supply

- 230 V 50 Hz • 240 V 50 Hz • 208 V 60 Hz
- 200 V 50 Hz • 200 V 60 Hz

## Input power

750 VA to 230V 50Hz (Correction 70 µF Standard).

## Lamp

Metal iodide lamp type HSR 400 W Osram or MSR 400 W Phillips (colour temp. 5,600; luminous flux 33,000 lm, average life 650 h, GX 9.5 connection).

**Motors:** 10 step motors, operating with microsteps, totally controlled by a microprocessor.

## Optical unit

- Elliptic reflector with high luminous efficiency.
- Maximum uniformity of light even up close.

**Colours:** CMY Colour mixing with selected dichroic filters for infinite shades of colour.

**Dimmer:** Mechanical dimmer from 0 to 100% to gradually dim the light beam.

**Input:** DMX 512 signal.

## Body

- In die-cast aluminium and steel.
- Epoxy powder painting.
- Two side handles for carrying.

## CHANNELS

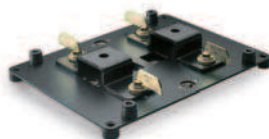
- 1 - Cyan
- 2 - Magenta
- 3 - Yellow
- 4 - Dimmer
- 5 - Pan
- 6 - Tilt
- 7 - Pan Fine (adj)
- 8 - Tilt Fine (adj)



CMY Colour mixing for infinite shades of colour.



Optional barndoors



Optional quick mounting plate

## Moving head

- Selectable 8 or 16-bit resolution of Pan and Tilt movements.
- Automatic Pan and Tilt repositioning after accidental or random movements.
- Projector body lock of both Pan and Tilt mechanisms for ease of transport.
- Movement by means of two microstep motors, controlled by microprocessor.
- Movement: - PAN = 450° - TILT = 221.4°
- Maximum speeds:
  - PAN = 4.0 s (360°) - TILT = 2.8 s (221.4°)
- Resolution:
  - PAN = ± 1.76° - PAN FIN = ± 0.007°
  - TILT = ± 0.86° - TILT FIN = ± 0.0034°

**CE Marking:** In conformity with the European Union Low Voltage Directive 73/23 and Electromagnetic Compatibility Directive 89/336.

## Safety devices

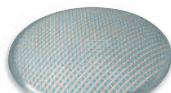
- Bipolar circuit breaker with thermal protection.
- Automatic break in power supply in case of overheating.
- Disconnection of the power supply when opening the lamp cover.
- Two fixing points for safety cable.

**Cooling:** Forced ventilation with axial fans.

**Working position:** Functions in any position.

**Weight:** 27.4 kg (60lbs, 4 ozs).

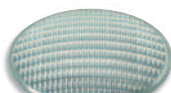
## Optional Ø 205 mm filters



Diffusion filter for 80° beam angle



Frost filter "90"

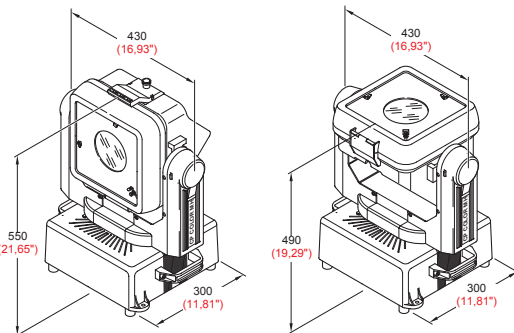


Ovalising filter, revolving - manually adjustable



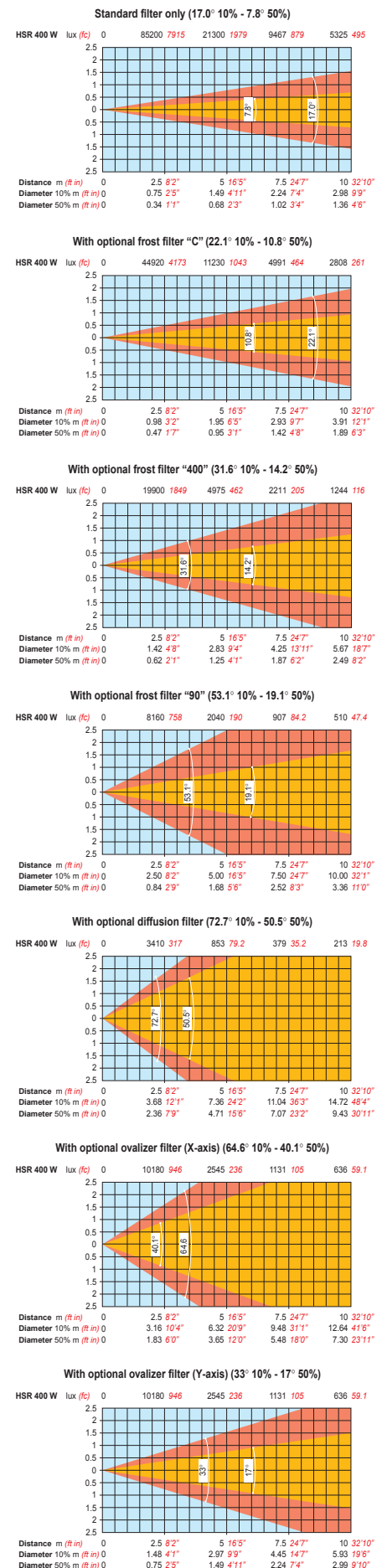
Frost filter "400"

Note: all of the filters may be installed directly on the projector body



Dimensions (mm / inches)

## Luminosity diagrams



## COMMERCIAL CODES

- C11199 CP Color MH
- L10007 Philips MSR lamp
- L10047 Osram HSR lamp
- C31173 Barndoors
- C61110 Quick mounting plate
- 080392/001 Frost filter "90" Ø 205 mm
- 080392/002 Frost filter "400" Ø 205 mm
- 080382/001 Diffusion filter Ø 205 mm
- 080383/001 Ovalising filter Ø 205 mm

CLAY PAKY s.p.a. Via Pastrengo, 3/b - Seriate (BG) Italy  
 Tel. +39-035-654311 - Fax +39-035-301876  
 e-mail: cp.sales@claypaky.it - www.claypaky.it



PROFESSIONAL SHOW LIGHTING